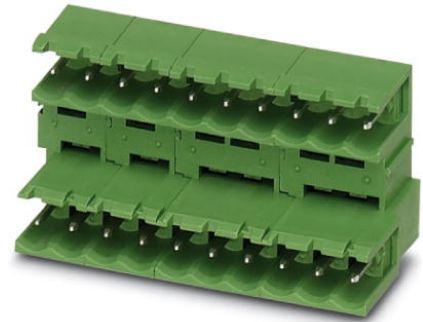


MDSTB 2,5/ 2-G-5,08

Order No.: 1762062

The figure shows a 10-position version of the product

<http://eshop.phoenixcontact.de/phoenix/treeViewClick.do?UID=1762062>Header, nominal current: 10 A, rated voltage: 250 V, pitch: 5.08 mm,
no. of positions: 2, mounting: Soldering

Commercial data

EAN	4017918030988
Pack	50 Pcs.
Customs tariff	85366990
Weight/Piece	0.003433 KG
Catalog page information	Page 226 (CC-2007)

Product notes

WEEE/RoHS-compliant since:
01/01/2003

<http://www.download.phoenixcontact.com>
Please note that the data given here has been taken from the online catalog. For comprehensive information and data, please refer to the user documentation. The General Terms and Conditions of Use apply to Internet downloads.

Technical data

Dimensions / positions

Pitch	5.08 mm
Dimension a	5.08 mm
Number of positions	2
Pin dimensions	1 x 1 mm
Hole diameter	1.4 mm

Technical data

Insulating material group	I
Rated surge voltage (III/3)	4 kV
Rated surge voltage (III/2)	4 kV
Rated surge voltage (II/2)	4 kV
Rated voltage (III/2)	320 V
Rated voltage (II/2)	400 V
Connection in acc. with standard	EN-VDE
Nominal current I_N	10 A
Nominal voltage U_N	250 V
Maximum load current	10 A
Insulating material	PBT
Inflammability class acc. to UL 94	V0

Certificates / Approvals



CSA

Nominal voltage U_N	300 V
Nominal current I_N	10 A

CUL

Nominal voltage U_N	300 V
Nominal current I_N	10 A

UL

Nominal voltage U_N	300 V
Nominal current I_N	10 A
Certification	CB, CSA, CUL, GL, GOST, UL, VDE-PZI

Accessories

Item	Designation	Description
------	-------------	-------------

Assembly

1806588	MDSTB 2,5-AS	Ejectors, for assembly on each side of the header
---------	--------------	---

1786679	MDSTB-SE	Side element, for lateral sealing of MSTB headers, 2.54 mm thick, color: green
1755477	MSTB-BL	Keying cap, for forming sections, plugs onto header pin, green insulating material

General

1736771	MDSTB 2,5/ 2-GFL-5,08	Header, nominal current: 10 A, rated voltage: 250 V, pitch: 5.08 mm, no. of positions: 2, mounting: Soldering
1736768	MDSTB 2,5/ 2-GFR-5,08	Header, nominal current: 10 A, rated voltage: 250 V, pitch: 5.08 mm, no. of positions: 2, mounting: Soldering

Marking

0804293	SK 5,08/3,8:FORTL.ZAHLEN	Marker card, printed horizontally, self-adhesive, 12 identical decades marked 1-10, 11-20 etc. up to 91-(99)100, sufficient for 120 terminal blocks
---------	--------------------------	---

Plug/Adapter

1734401	CR-MSTB	Coding section, inserted into the recess in the header or the inverted plug, red insulating material
---------	---------	--

Additional products

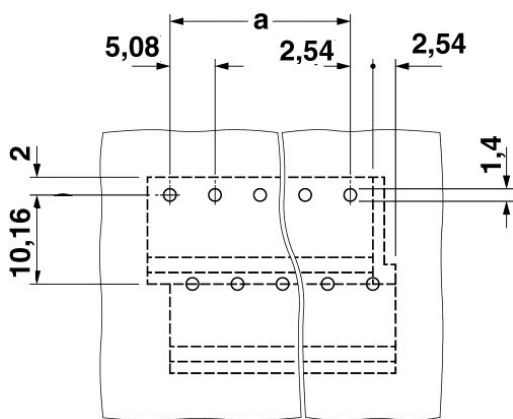
Item	Designation	Description
General		
1872693	A-ICV 2,5/ 2-G-5,08	Header, nominal current: 12 A, rated voltage: 250 V, pitch: 5.08 mm, no. of positions: 2, mounting: Mounting rail
1873058	FKC 2,5/ 2-ST-5,08	Plug component, nominal current: 12 A, rated voltage: 250 V, pitch: 5.08 mm, no. of positions: 2, type of connection: Spring-cage connection
1873207	FKC 2,5/ 2-STF-5,08	Plug with screw flange, nominal current: 12 A, rated voltage: 250 V, pitch: 5.08 mm, no. of positions: 2, type of connection: Spring-cage connection
1902110	FKCT 2,5/ 2-ST-5,08	Plug component, nominal current: 12 A, rated voltage: 250 V, pitch: 5.08 mm, no. of positions: 2, type of connection: Spring-cage connection
1902301	FKCT 2,5/ 2-STF-5,08	Plug component, nominal current: 12 A, rated voltage: 250 V, pitch: 5.08 mm, no. of positions: 2, type of connection: Spring-cage connection
1873951	FKCVR 2,5/ 2-ST-5,08	Plug component, nominal current: 12 A, rated voltage: 250 V, pitch: 5.08 mm, no. of positions: 2, type of connection: Spring-cage connection
1874109	FKCVR 2,5/ 2-STF-5,08	Plug component, nominal current: 12 A, rated voltage: 250 V, pitch: 5.08 mm, no. of positions: 2, type of connection: Spring-cage connection

1873650	FKCVW 2,5/ 2-ST-5,08	Plug component, nominal current: 12 A, rated voltage: 250 V, pitch: 5.08 mm, no. of positions: 2, type of connection: Spring-cage connection
1873809	FKCVW 2,5/ 2-STF-5,08	Plug component, nominal current: 12 A, rated voltage: 250 V, pitch: 5.08 mm, no. of positions: 2, type of connection: Spring-cage connection
1777280	FRONT-MSTB 2,5/ 2-ST-5,08	Plug component, nominal current: 12 A, rated voltage: 250 V, pitch: 5.08 mm, no. of positions: 2, type of connection: Screw connection
1777808	FRONT-MSTB 2,5/ 2-STF-5,08	Plug with screw flange, nominal current: 12 A, rated voltage: 250 V, pitch: 5,08 mm, no. of positions: 2, type of connection: Screw connection
1786404	IC 2,5/ 2-G-5,08	Header, nominal current: 12 A, rated voltage: 320 V, pitch: 5.08 mm, number of positions: 2, mounting type: Soldering
1785942	ICV 2,5/ 2-G-5,08	Header, nominal current: 12 A, rated voltage: 320 V, pitch: 5.08 mm, number of positions: 2, mounting type: Soldering
1757019	MSTB 2,5/ 2-ST-5,08	Plug component, nominal current: 12 A, rated voltage: 250 V, pitch: 5.08 mm, no. of positions: 2, type of connection: Screw connection
1777989	MSTB 2,5/ 2-STF-5,08	Plug with screw flange, nominal current: 12 A, rated voltage: 250 V, pitch: 5,08 mm, no. of positions: 2, type of connection: Screw connection
1808816	MSTBC 2,5/ 2-ST-5,08	Plug component, nominal current: 12 A, rated voltage: 320 V, pitch: 5.08 mm, no. of positions: 2, type of connection: Crimp connection
1809501	MSTBC 2,5/ 2-STZ-5,08	Plug component, nominal current: 12 A, rated voltage: 320 V, pitch: 5.08 mm, no. of positions: 2, type of connection: Crimp connection
1809734	MSTBC 2,5/ 2-STZF-5,08	Plug component, nominal current: 12 A, rated voltage: 320 V, pitch: 5.08 mm, no. of positions: 2, type of connection: Crimp connection
1769010	MSTBP 2,5/ 2-ST-5,08	Plug component, nominal current: 12 A, rated voltage: 250 V, pitch: 5.08 mm, no. of positions: 2, type of connection: Screw connection
1779987	MSTBT 2,5/ 2-ST-5,08	Plug component, nominal current: 12 A, rated voltage: 250 V, pitch: 5.08 mm, no. of positions: 2, type of connection: Screw connection
1805301	MSTBT 2,5/ 2-STF-5,08	Plug with T-shape and screw flange, nominal current: 12 A, rated voltage: 250 V, pitch: 5.08 mm, no. of positions: 2, type of connection: Screw connection
1792249	MVSTBR 2,5/ 2-ST-5,08	Plug component, nominal current: 12 A, rated voltage: 250 V, pitch: 5.08 mm, no. of positions: 2, type of connection: Screw connection
1835096	MVSTBR 2,5/ 2-STF-5,08	Plug with screw flange, nominal current: 12 A, rated voltage: 250 V, pitch: 5,08 mm, no. of positions: 2, type of connection: Screw connection

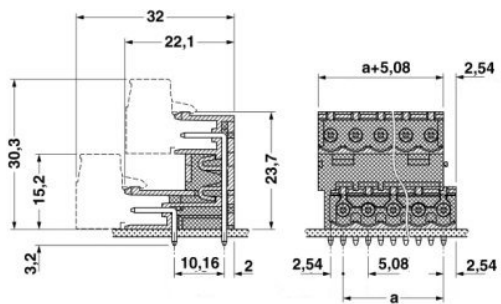
1792757	MVSTBW 2,5/ 2-ST-5,08	Plug component, nominal current: 12 A, rated voltage: 250 V, pitch: 5.08 mm, no. of positions: 2, type of connection: Screw connection
1834903	MVSTBW 2,5/ 2-STF-5,08	Plug component, nominal current: 12 A, rated voltage: 250 V, pitch: 5.08 mm, no. of positions: 2, type of connection: Screw connection
1917901	QC 0,75/ 2-ST-5,08	Plug components, 5.08 mm pitch, color: green, no. of positions 2, dimension a 5.08 mm
1918081	QC 0,75/ 2-STF-5,08	Plug components, 5.08 mm pitch, color: green, no. of positions 2, dimension a 5.08 mm
1883255	QC 1/ 2-ST-5,08	Plug, nominal current: 10 A, rated voltage: 500 V, pitch: 5.08 mm, number of positions: 2, connection method: Insulation displacement connection QUICKON
1883352	QC 1/ 2-STF-5,08	Plug, nominal current: 10 A, rated voltage: 500 V, pitch: 5.08 mm, number of positions: 2, connection method: Insulation displacement connection QUICKON
1826283	SMSTB 2,5/ 2-ST-5,08	Plug component, nominal current: 12 A, rated voltage: 250 V, pitch: 5.08 mm, no. of positions: 2, type of connection: Screw connection
1853010	TMSTBP 2,5/ 2-ST-5,08	Plug component, nominal current: 12 A, rated voltage: 250 V, pitch: 5.08 mm, no. of positions: 2, type of connection: Screw connection
1853104	TMSTBP 2,5/ 2-STF-5,08	Plug component, nominal current: 12 A, rated voltage: 250 V, pitch: 5.08 mm, no. of positions: 2, type of connection: Screw connection

Drawings

Drilling diagram



Dimensioned drawing



Address

PHOENIX CONTACT GmbH & Co. KG
Flachsmarktstr. 8
32825 Blomberg, Germany
Phone +49 5235 3 00
Fax +49 5235 3 41200
<http://www.phoenixcontact.de>



© 2008 Phoenix Contact
Technical modifications reserved;